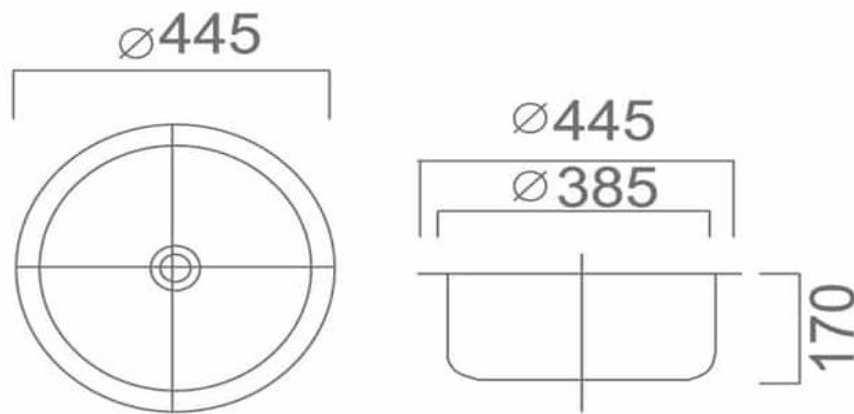


# SS L45L

## DANTE Single Bowl Sink



# SPECIFICATIONS

20L Capacity

0.8mm 304 Grade Stainless Steel

**CLEANING & MAINTENANCE:**

All Sinks should be cleaned with mild detergent and water

All Products must be cleaned with a soft cloth with soapy water, avoid waxes, solvents, abrasives, acids and other chemical based cleaners

Warranty will be void if damages are caused by unsuitable cleaning products

**WARRANTY INFORMATION:**

25 Year Parts or Products Replacement Warranty

1 Year Replacement Warranty on Waste Plugs

All products (Excluding Waste Plugs) have a full 1 year in house labour warranty from date of purchase