

Aulic



Diamond Collection

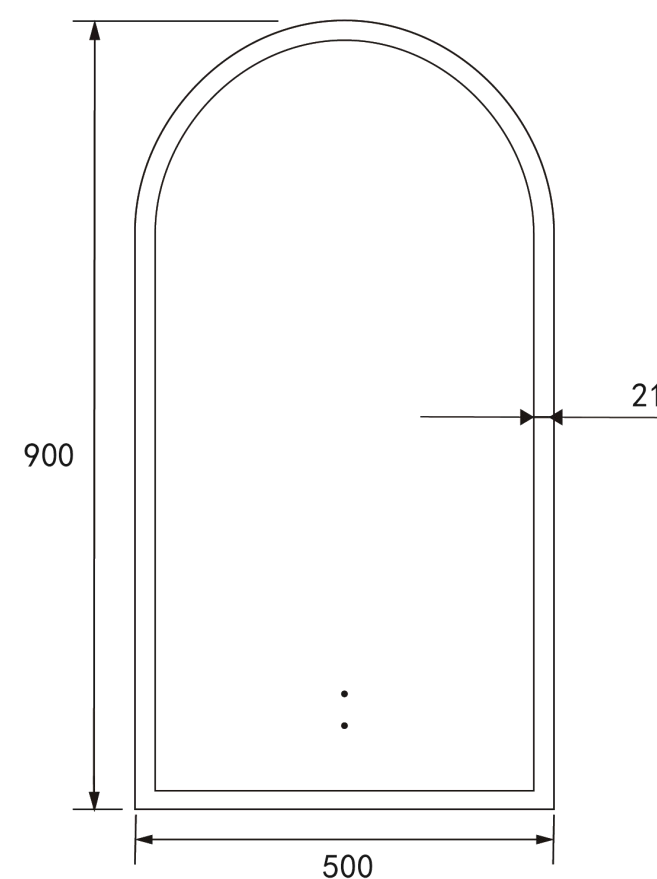
Canterbury

Code: LMCAN-500



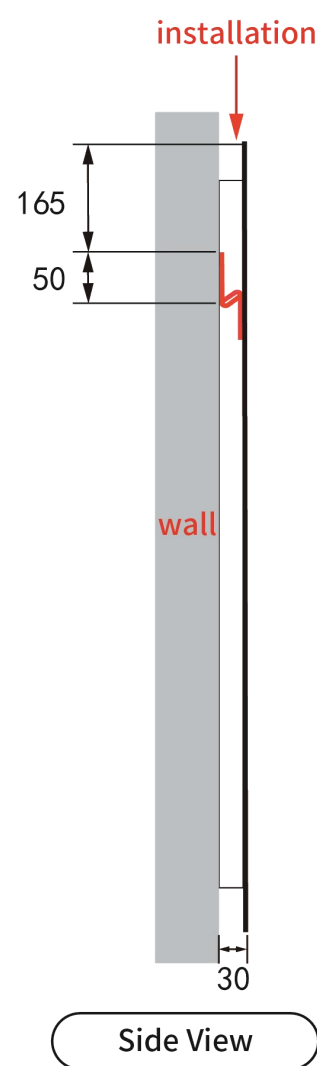
Canterbury Frameless

Front View

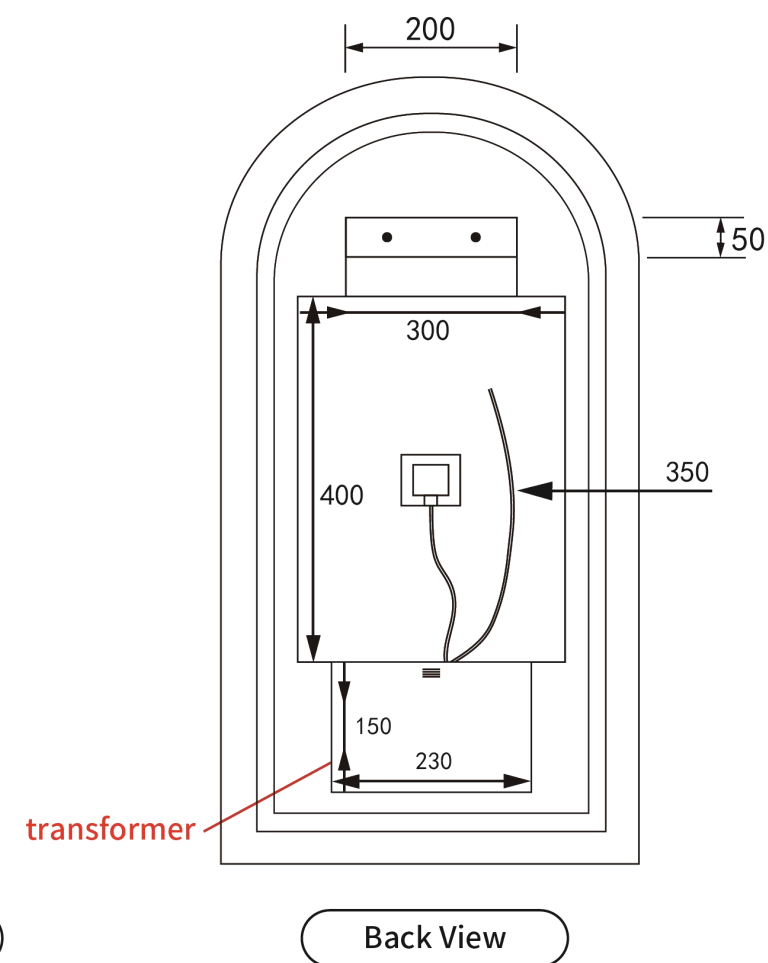


Features:

- LED lighting
- Mirror demister
- Touch free sensor
- Backlit
- Three-colour dimmable lighting
- Copper free mirror
- Stainless steel frame
- Optional frame colour
- Auto cut-off in 1.5 hours



Side View



Back View

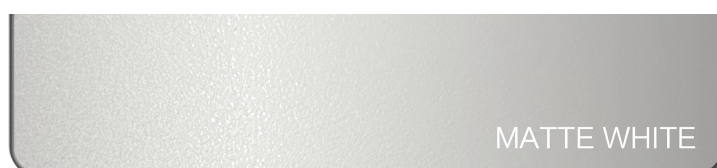
Diamond Collection

Canterbury

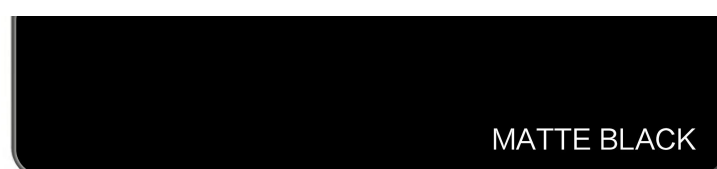
Options of coloured frames:



LMCAN-500-GM
Gun Metal



LMCAN-500-MW
Matte White



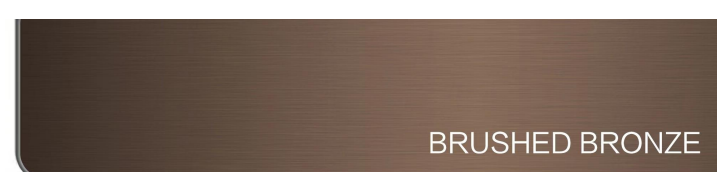
LMCAN-500-MB
Matte Black



LMCAN-500-BN
Brushed Nickel



LMCAN-500-BG
Brushed Gold



LMCAN-500-BZ
Brushed Bronze

Canterbury with Frames

