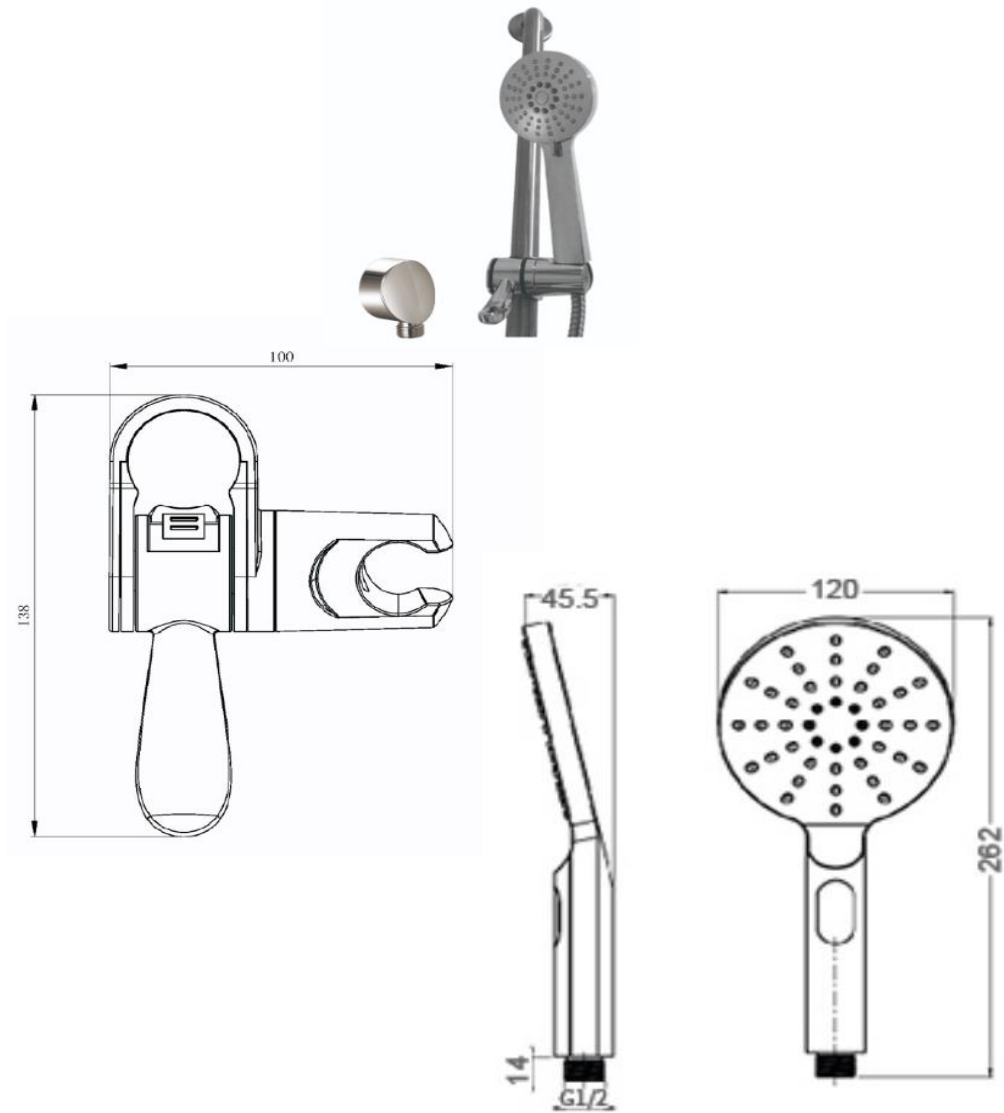


MOBI CARE SHOWER SET TP H1350X

SPECIFICATIONS



304 Grade Stainless Steel
Complies with AS1428.1 requirements

WARRANTY INFORMATION:

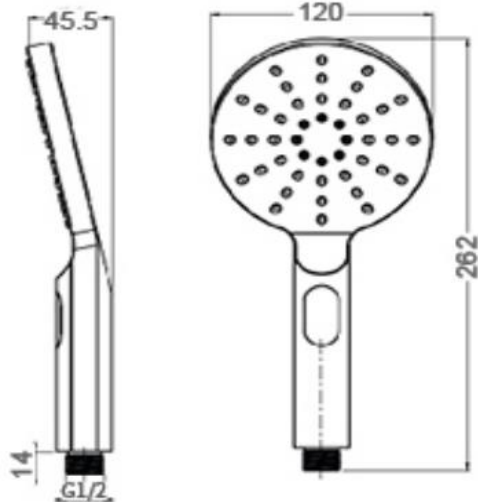
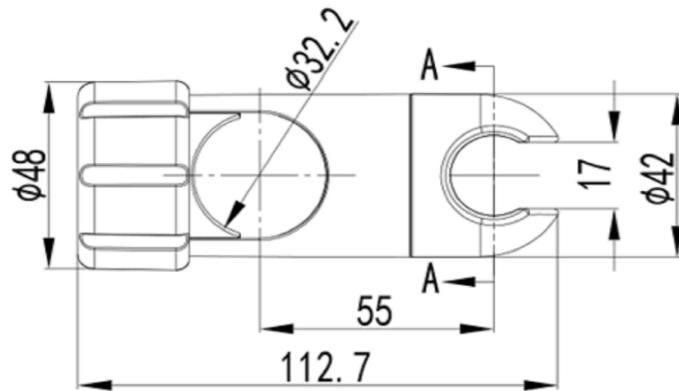
2 Year Replacement Parts or Product

All products have a full 1 year in house labour warranty from date of purchase (Excluding Seat and Hinges)

MOBI CARE SHOWER SET TP 1400X-MK



SPECIFICATIONS



304 Grade Stainless Steel
Complies with AS1428.1 requirements

WARRANTY INFORMATION:

2 Year Replacement Parts or Product

All products have a full 1 year in house labour warranty from date of purchase (Excluding Seat and Hinges)