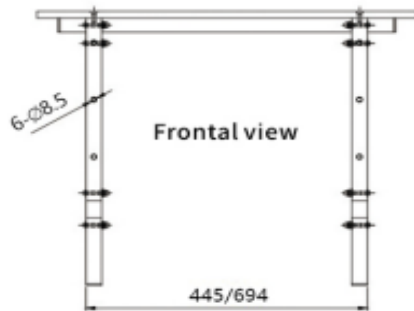
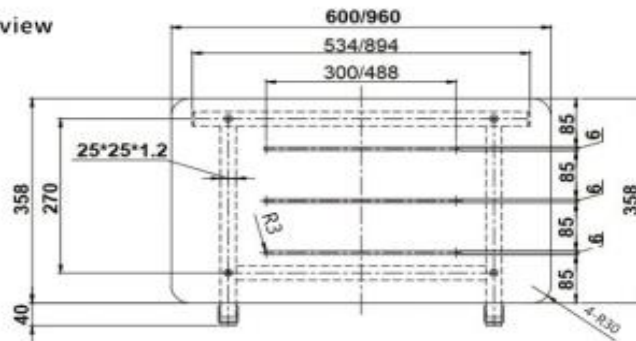


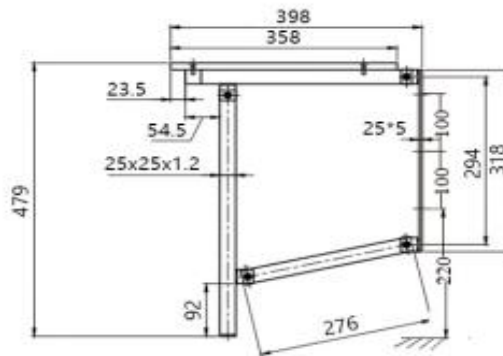
# MOBI CARE FOLDABLE SHOWER SEAT TP SEAT60/96



Top view



Side view



## SPECIFICATIONS

Suitable for Assisted Living Installations

304 Grade Stainless Steel Frame and Durable Self Draining Plastic Seat

**TP SEAT 96 Complies with AS1428.1 requirements**

### WARRANTY INFORMATION:

2 Year Replacement Parts or Product

All products have a full 1 year in house labour warranty from date of purchase (Excluding Seat and Hinges)