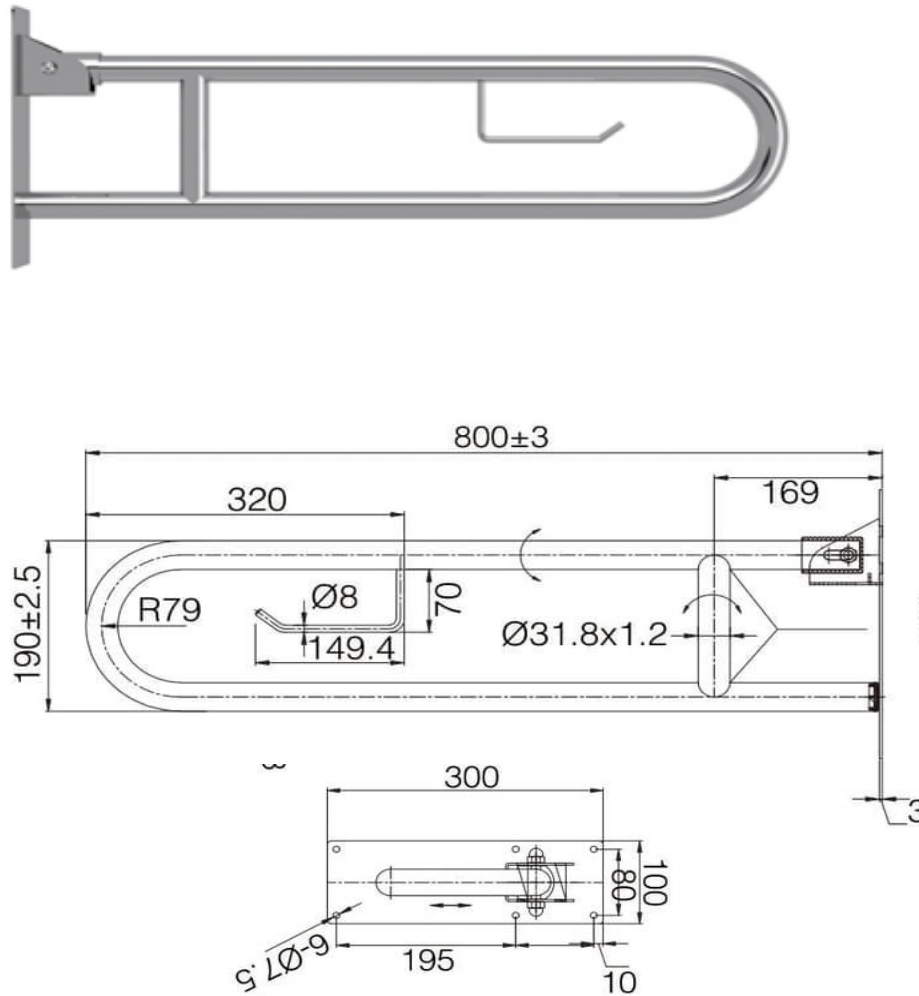


MOBI CARE U SHAPE FOLDING RAIL

SPECIFICATIONS



304 Grade Stainless Steel with White Cushion

Complies with AS1428.1 requirements

WARRANTY INFORMATION:

2 Year Replacement Parts or Product

All products have a full 1 year in house labour warranty from date of purchase (Excluding Seat and Hinges)