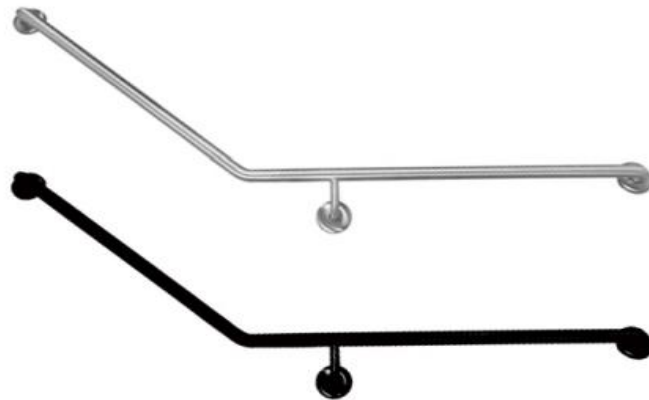


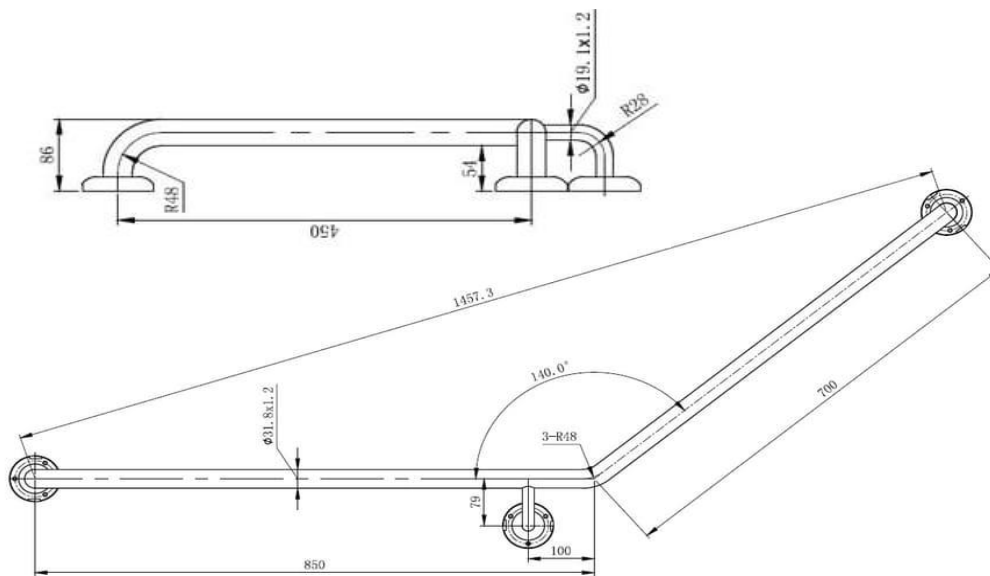
MOBI CARE CURVED GRAB RAIL

SPECIFICATIONS



TP GRAB857

TP GRAB857MK



Available in Chrome or Matte Black Finish

Left or Right Hand Available

304 Grade Stainless Steel

Complies with AS1428.1 requirements

WARRANTY INFORMATION:

2 Year Replacement Parts or Product

All products have a full 1 year in house labour warranty from date of purchase (Excluding Seat and Hinges)