

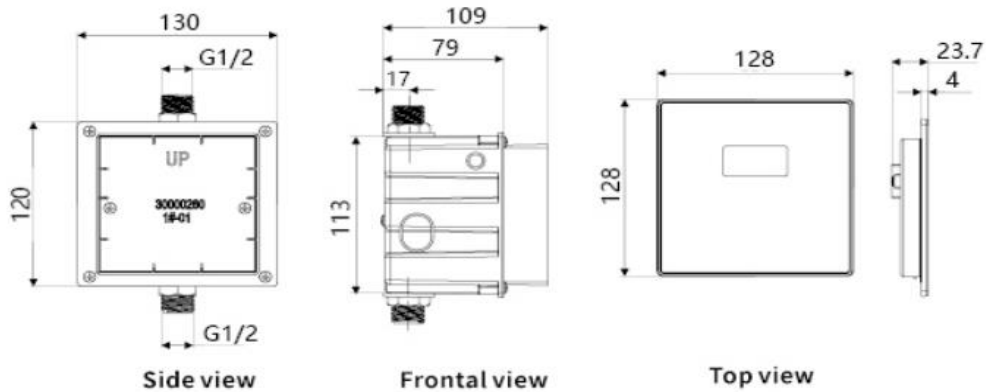
# URSES01



**WELS:** 4 Star 1.3L/flush

**WELS Reg. No:** U00431

## SPECIFICATIONS



Smart-demand Sensor Flush Device

Self Cleaning - Automatically flushes every 24 hours

Power Saving - Average Consumption of 0.2mW under static and can be used for 2 years, based on 4000 cycles per month

Or AC - 100 - 240V, 50/60Hz

Sensing Distance - Factory Set Valve at 65+/-5cm

Working Pressure - Static Pressure Range 0.05MPa-0.8MPa

### WARRANTY INFORMATION:

2 Year Replacement Parts or Product

All products have a full 1 year in house labour warranty from date of purchase