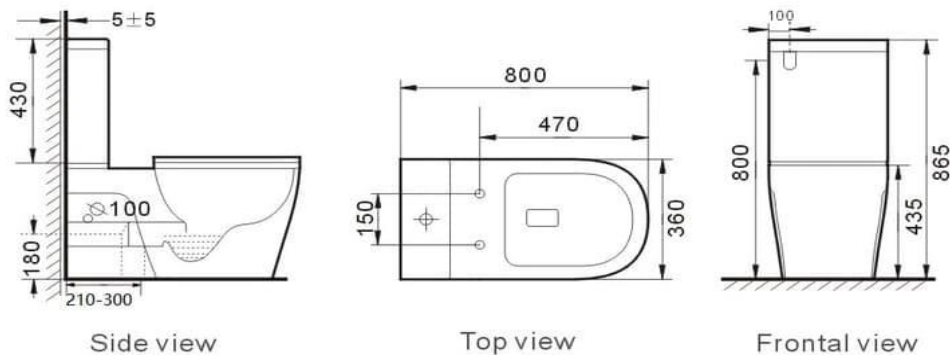


# EXTRACARE TOILET SUITE



WELS Reg No: L05776

## SPECIFICATIONS



Raised Height Pan and Grey Push Button

Suitable for S or P Trap

Dual Flush: 4.5L full flush and 3L half flush

140 - 250mm (S-Trap)/ 180mm (P-Trap)

Ambulant Toilet Suite compliant with AS1428.1 for use in residential and commercial bathrooms

**WARRANTY INFORMATION:**

15 Years Replacement Warranty on Ceramic

3 Year Replacement on Toilet Valves

1 Year Replacement for Toilet Seats and Hinges

All products have a full 1 year in house labour warranty from date of purchase (Excluding Seat and Hinges)

**ect** global  
kitchen & bathroomware

42 Castro Way, Derrimut VIC 3026

(03) 8390 6300

[ect\\_sales@outlook.com](mailto:ect_sales@outlook.com)

[www.ectglobal.com.au](http://www.ectglobal.com.au)